

The HIKVISION logo is located in the center of the page. It consists of a red horizontal bar with a white diagonal stripe on the left side. The word "HIKVISION" is written in white, italicized, uppercase letters across the red bar.

***HIKVISION***

# **Column Speaker**

## **Quick Start Guide**

## About this Document

- This Document includes instructions for using and managing the Product. Pictures, charts, images and all other information hereinafter are for description and explanation only.
- The information contained in the Document is subject to change, without notice, due to firmware updates or other reasons. Please find the latest version of the Document at the Hikvision website (<https://www.hikvision.com>). Unless otherwise agreed, Hangzhou Hikvision Digital Technology Co., Ltd. or its affiliates (hereinafter referred to as "Hikvision") makes no warranties, express or implied.
- Please use the Document with the guidance and assistance of professionals trained in supporting the Product.

## About this Product

This product can only enjoy the after-sales service support in the country or region where the purchase is made.

## Acknowledgment of Intellectual Property Rights

- Hikvision owns the copyrights and/or patents related to the technology embodied in the Products described in this Document, which may include licenses obtained from third parties.
- Any part of the Document, including text, pictures, graphics, etc., belongs to Hikvision. No part of this Document may be excerpted, copied, translated, or modified in whole or in part by any means without written permission.
- **HIKVISION** and other Hikvision's trademarks and logos are the properties of Hikvision in various jurisdictions.
- Other trademarks and logos mentioned are the properties of their respective owners.

## LEGAL DISCLAIMER

- TO THE MAXIMUM EXTENT PERMITTED BY APPLICABLE LAW, THIS DOCUMENT AND THE PRODUCT DESCRIBED, WITH ITS HARDWARE, SOFTWARE AND FIRMWARE, ARE PROVIDED "AS IS" AND "WITH ALL FAULTS AND ERRORS". HIKVISION MAKES NO WARRANTIES, EXPRESS OR IMPLIED, INCLUDING WITHOUT LIMITATION, MERCHANTABILITY, SATISFACTORY QUALITY, OR FITNESS FOR A PARTICULAR PURPOSE. THE USE OF THE PRODUCT BY YOU IS AT YOUR OWN RISK. IN NO EVENT WILL HIKVISION BE LIABLE TO YOU FOR ANY SPECIAL, CONSEQUENTIAL, INCIDENTAL, OR INDIRECT DAMAGES, INCLUDING, AMONG OTHERS, DAMAGES FOR LOSS OF BUSINESS PROFITS, BUSINESS INTERRUPTION, OR LOSS OF DATA, CORRUPTION OF SYSTEMS, OR LOSS OF DOCUMENTATION, WHETHER BASED ON BREACH OF CONTRACT, TORT (INCLUDING NEGLIGENCE), PRODUCT LIABILITY, OR OTHERWISE, IN CONNECTION WITH THE USE OF THE PRODUCT, EVEN IF HIKVISION HAS BEEN ADVISED OF THE POSSIBILITY OF SUCH DAMAGES OR LOSS.
- YOU ACKNOWLEDGE THAT THE NATURE OF THE INTERNET PROVIDES FOR INHERENT

SECURITY RISKS, AND HIKVISION SHALL NOT TAKE ANY RESPONSIBILITIES FOR ABNORMAL OPERATION, PRIVACY LEAKAGE OR OTHER DAMAGES RESULTING FROM CYBER-ATTACK, HACKER ATTACK, VIRUS INFECTION, OR OTHER INTERNET SECURITY RISKS; HOWEVER, HIKVISION WILL PROVIDE TIMELY TECHNICAL SUPPORT IF REQUIRED.

- YOU AGREE TO USE THIS PRODUCT IN COMPLIANCE WITH ALL APPLICABLE LAWS, AND YOU ARE SOLELY RESPONSIBLE FOR ENSURING THAT YOUR USE CONFORMS TO THE APPLICABLE LAW. ESPECIALLY, YOU ARE RESPONSIBLE, FOR USING THIS PRODUCT IN A MANNER THAT DOES NOT INFRINGE ON THE RIGHTS OF THIRD PARTIES, INCLUDING WITHOUT LIMITATION, RIGHTS OF PUBLICITY, INTELLECTUAL PROPERTY RIGHTS, OR DATA PROTECTION AND OTHER PRIVACY RIGHTS. YOU SHALL NOT USE THIS PRODUCT FOR ANY PROHIBITED END-USES, INCLUDING THE DEVELOPMENT OR PRODUCTION OF WEAPONS OF MASS DESTRUCTION, THE DEVELOPMENT OR PRODUCTION OF CHEMICAL OR BIOLOGICAL WEAPONS, ANY ACTIVITIES IN THE CONTEXT RELATED TO ANY NUCLEAR EXPLOSIVE OR UNSAFE NUCLEAR FUEL-CYCLE, OR IN SUPPORT OF HUMAN RIGHTS ABUSES.
- IN THE EVENT OF ANY CONFLICTS BETWEEN THIS DOCUMENT AND THE APPLICABLE LAW, THE LATTER PREVAILS.

© Hangzhou Hikvision Digital Technology Co., Ltd. All rights reserved.

## Regulatory Information

**These clauses apply only to the products bearing the corresponding mark or information.**

### FCC Information

Please take attention that changes or modification not expressly approved by the party responsible for compliance could void the user's authority to operate the equipment.

Note: This product has been tested and found to comply with the limits for a Class B digital device, pursuant to part 15 of the FCC Rules. These limits are designed to provide reasonable protection against harmful interference in a residential installation. This product generates, uses, and can radiate radio frequency energy and, if not installed and used in accordance with the instructions, may cause harmful interference to radio communications. However, there is no guarantee that interference will not occur in a particular installation. If this product does cause harmful interference to radio or television reception, which can be determined by turning the equipment off and on, the user is encouraged to try to correct the interference by one or more of the following measures:

- Reorient or relocate the receiving antenna.
- Increase the separation between the equipment and receiver.
- Connect the equipment into an outlet on a circuit different from that to which the receiver is connected.
- Consult the dealer or an experienced radio/TV technician for help.

### FCC Conditions

Please take attention that changes or modification not expressly approved by the party responsible for compliance could void the user's authority to operate the equipment.

This device complies with part 15 of the FCC Rules. Operation is subject to the following two conditions:

- (1) this device may not cause harmful interference, and
- (2) this device must accept any interference received, including interference that may cause undesired operation.

### EU/UK Compliance Statement

**CE** This product and - if applicable - the supplied accessories too are marked with "CE" and comply therefore with the applicable harmonized European standards listed under the Directive 2014/30/EU (EMCD) and Directive 2011/65/EU (RoHS).

Note: The products with the input voltage of within 50 to 1000 VAC or 75 to 1500 VDC comply with Directive 2014/35/EU (LVD), and the rest products comply with Directive 2001/95/EC (GPSD). Please check the specific power supply information for reference.

The full text of the EU declaration of conformity is available at the following internet address: <https://www.hikvision.com/en/support/compliance/declaration-of-conformity>.



This product and - if applicable - the supplied accessories too are marked with "UKCA" and comply therefore with the following directives: Electromagnetic Compatibility Regulations 2016, Electrical Equipment (Safety) Regulations 2016, the Restriction of the Use of Certain Hazardous Substances in Electrical and Electronic Equipment Regulations 2012.



Directive 2012/19/EU (WEEE Directive): Products marked with this symbol cannot be disposed of as unsorted municipal waste in the European Union. For proper recycling, return this product to your local supplier upon the purchase of equivalent new equipment, or dispose of it at designated collection points. For more information see: [www.recyclethis.info](http://www.recyclethis.info).

According to the Waste Electrical and Electronic Equipment Regulations 2013: Products marked with this symbol cannot be disposed of as unsorted municipal waste in the United Kingdom. For proper recycling, return this product to your local supplier upon the purchase of equivalent new equipment, or dispose of it at designated collection points. For more information see: [www.recyclethis.info](http://www.recyclethis.info).



Regulation (EU) 2023/1542 (Battery Regulation): This product contains a battery and it is in conformity with the Regulation (EU) 2023/1542. The battery cannot be disposed of as unsorted municipal waste in the European Union. See the product documentation for specific battery information. The battery is marked with this symbol, which may include lettering to indicate cadmium (Cd), or lead (Pb). For proper recycling, return the battery to your supplier or to a designated collection point. For more information see: [www.recyclethis.info](http://www.recyclethis.info).

According to the Batteries and Accumulators (Placing on the Market) Regulations 2008 and the Waste Batteries and Accumulators Regulations 2009: This product contains a battery that cannot be disposed of as unsorted municipal waste in the United Kingdom. See the product documentation for specific battery information. The battery is marked with this symbol, which may include lettering to indicate cadmium (Cd), lead (Pb), or mercury (Hg). For proper recycling, return the battery to your supplier or to a designated collection point. For more information see: [www.recyclethis.info](http://www.recyclethis.info).

### Industry Canada ICES-003 Compliance

This device meets the CAN ICES-003 (B) / NMB-003 (B) standards requirements.

### Conformité Industrie Canada ICES-003

Cette appareil répond aux exigences des normes CAN ICES-003 (B) / NMB-003 (B).



### KC

B 급 기기: 이 기기는 가정용(B 급) 전자파적합기기으로써 주로 가정에서 사용하는 것을 목적으로 하며, 모든 지역에서 사용할 수 있습니다.

### Safety Information

Please read all the safety information carefully before using.

- In the use of the product, you must be in strict compliance with the electrical safety regulations of the nation and region.
- Device powered by Safety Extra-Low Voltage (SELV): The power source should meet limited power source or PS2 requirements according to IEC 60950-1 or IEC 62368-1 standard.
- For the device powered on and off only by power plug and socket-outlet, the socket-outlet shall be installed near the device and easily accessible.
- This equipment shall be installed incorporated with UPS to avoid the risk of restart.
- Use the power adapter that can work normally at an altitude over 2000 meters above sea level.
- Do not dispose of the battery into fire or a hot oven, or mechanically crush or cut the battery, which may result in an explosion.
- Do not leave the battery in an extremely high temperature surrounding environment, which may result in an explosion or the leakage of flammable liquid or gas.
- Do not subject the battery to extremely low air pressure, which may result in an explosion or the leakage of flammable liquid or gas.
- Dispose of used batteries according to the instructions.

- For the device with sticker  or  , pay attention to the following cautions:

CAUTION: Hot parts! Do not touch. Burned fingers when handling the parts. Wait one-half hour after switching off before handling the parts.

This sticker is to indicate that the marked item can be hot and should not be touched without taking care. For device with this sticker, this device is intended for installation in a restricted access location, access can only be gained by service persons or by users who have been instructed about the reasons for the restrictions applied to the location and about any precautions that shall be taken.

- Do not install devices for professional use in locations where children are likely to appear.
- If the device needs to be installed on the wall or ceiling, install the device according to the instructions in Quick Start Guide. Attach the device properly to the floor/wall in accordance with the installation instructions to prevent injury.
- For the device with supplement light (refer to datasheet for details): Possibly hazardous optical radiation emitted from this product.

DO NOT stare at operating light source. May be harmful to the eyes.

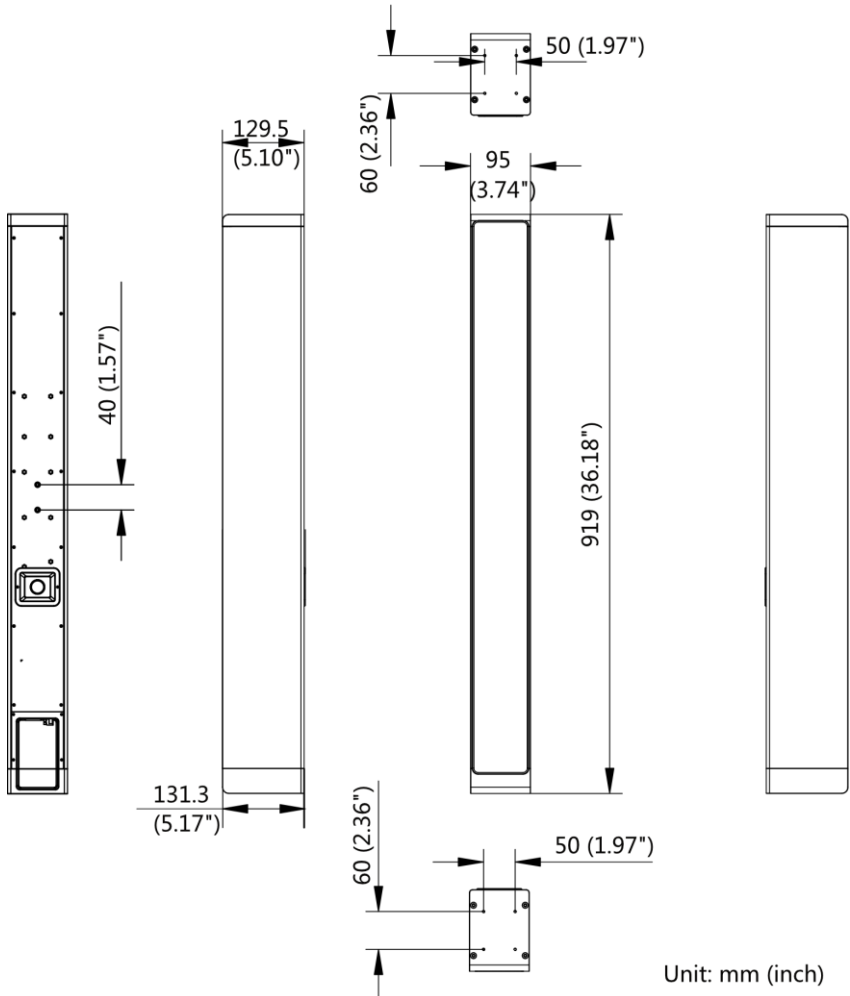
Wear appropriate eye protection or DO NOT turn on the light when you assemble, install or maintain the device.

- For the battery with + and - signs, + identifies the positive terminals of the device which is used with or generates direct current, and - identifies the negative terminals of the device which is used with or generates direct current.
- Do not touch the bare components (such as the metal contacts of the inlets) and wait for at least 5 minutes, since electricity may still exist after the device is powered off.
- No naked flame sources, such as lighted candles, should be placed on the device.
- Never place the device in an unstable location. The device may fall, causing serious personal injury or death.
- If the device needs to be wired by yourself, select the corresponding wire to supply power according to the electric parameters labeled on the device. Strip off wire with a standard wire stripper at corresponding position. To avoid serious consequences, the length of stripped wire shall be appropriate, and conductors shall not be exposed.
- Make sure that the power has been disconnected before you wire, install, or disassemble the device.
- If smoke, odor, or noise arises from the device, immediately turn off the power, unplug the power cable, and contact the service center.

## Table of Contents

<b>1 Dimension</b> .....	<b>1</b>
<b>2 Knob and Interface</b> .....	<b>2</b>
<b>3 Installation</b> .....	<b>4</b>
3.1 Installation with Included Bracket.....	4
3.2 Installation with Optional Bracket.....	8

# 1 Dimension



Unit: mm (inch)

Figure 1-1 Dimension

## 2 Knob and Interface

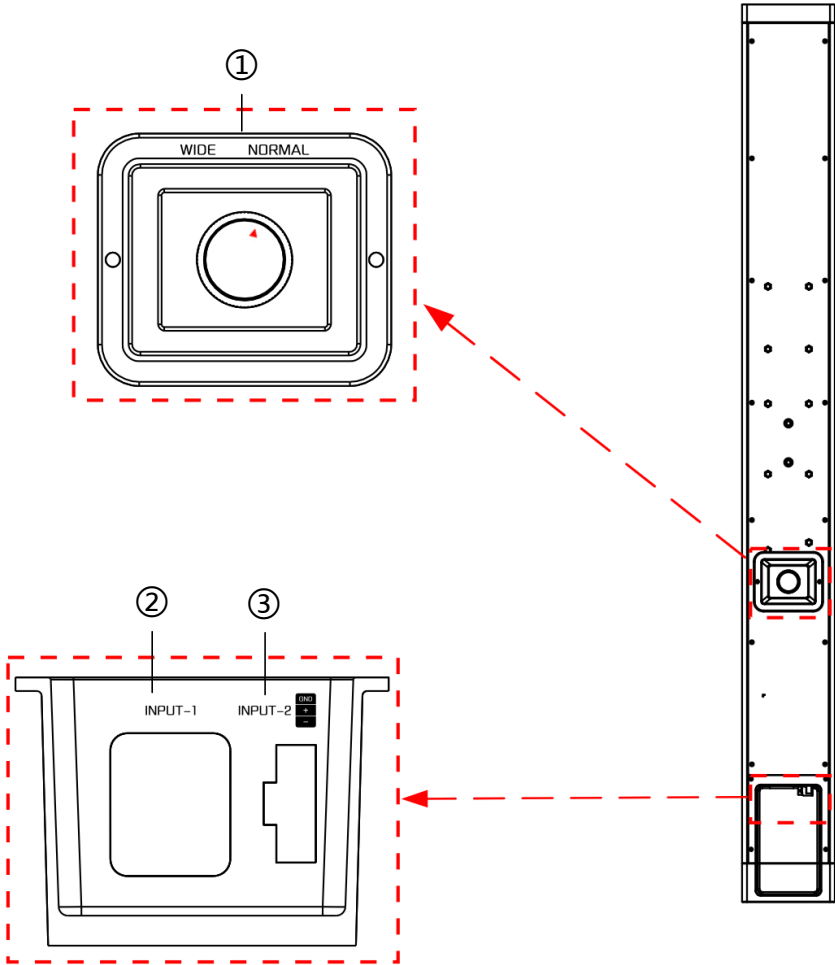


Figure 2-1 Knob and Interface

① Knob: rotate the knob to adjust the beam angle. 2 modes are available.

- NORMAL Mode: 25°.
- WIDE Mode: 30°.

② Speakon Connector: audio input. Please connect it according to the following wiring sequence.

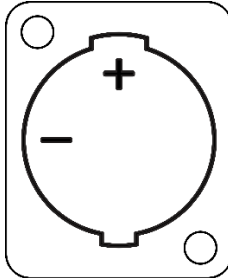


Figure 2-2 Wiring Sequence

③ 3-Pin Phoenix Connector: audio input. Please connect it according to the following wiring sequence.

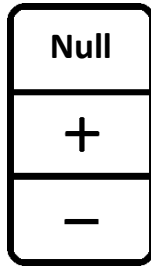


Figure 2-3 Wiring Sequence

**Note:**

- Speakon connector and 3-pin phoenix connector cannot be accessed at the same time.
- Rotate to tighten the speakon connector if you want to access speakon connector.
- Tighten the screws if you want to access 3 pin phoenix connector.

## 3 Installation

**Note:**

Make sure the device is powered off during installation.

### 3.1 Installation with Included Bracket

1. Select an installation location that can safely carry the weight of the column speaker, and make sure that the installation surface and the method of connecting the column speaker to the surface support the total weight of the system. The recommended safety coefficient is 10:1
2. Remove the package and place the column speaker on the floor below the scheduled installation location.
3. Take out the bracket 1 and the screws provided in the package.
4. Fix the bracket 1 to the column speaker with two supplied M6 screws as shown in Figure 3-1.

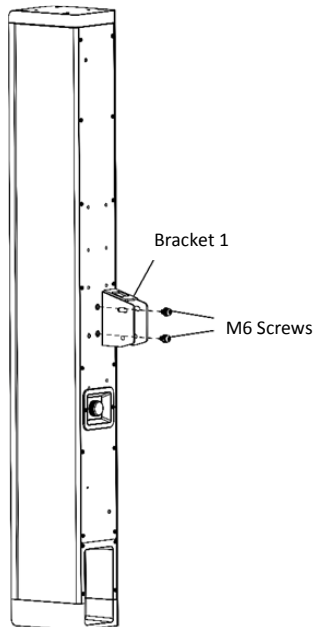


Figure 3-1 Fix Bracket1 to Column Speaker

- Take out the bracket 3 and select suitable installation location. Make sure there is enough space between the ceiling and the top of the column speaker.
- Fix the bracket 3 to the cement wall with four supplied M6 × 60 expansion bolts. The bracket 3 mounting should be horizontal.

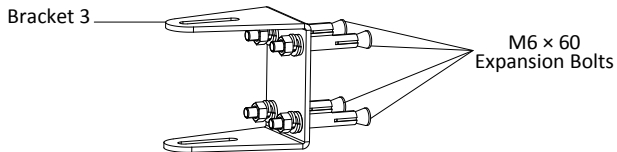


Figure 3-2 Fix Bracket3 to Wall

**Note :**

If it is necessary to install bracket 3 on the wooden wall, you need to replace M6 × 60 expansion bolts with the KA6 × 50-SUS screws, and ensure that the thickness of the wooden wall at the installation hole position is not less than 20 mm.

- Put the bracket 2 into the bracket 3 as shown in the Figure 3-3. Slide the bracket 2 in the bracket 3. It is recommended to put the bracket 2 in the position shown in Figure 3-3 first, and fix the bracket 2 to the bracket 3 with the two supplied M6 screws.

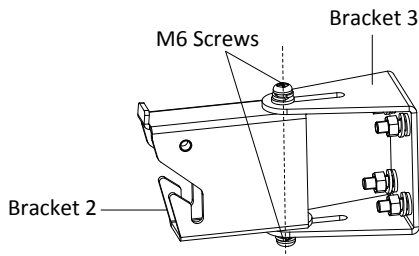


Figure 3-3 Fix Bracket2 to Bracket3

- Hang the column speaker assembled in step 4 onto the bracket 2 assembled in step 7 as shown in Figure 3-4.

**Note :**

For the purpose of description, the component completed in this installation step will be referred to as Component 1.

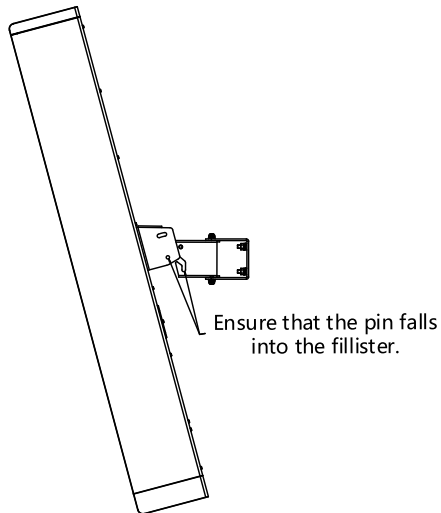


Figure 3-4 Fixed column speaker to Wall

9. Loosen the two M6 screws in step 7, so that the column speaker can rotate up to 90° to the left or the right for easy wiring.
10. Refer to "2 Knob and Interface" for wiring, and test if the column speaker is running normally after wiring.
11. After the wiring is completed, adjust the extended length and rotation angle according to needs, and retighten the two M6 screws in step 7, and then fix the column speaker with two supplied M6 screws as shown in Figure 3-5.

**Note :**

It is recommended that the column speaker bottom should be at least 8 mm away from the wall after the column speaker is installed

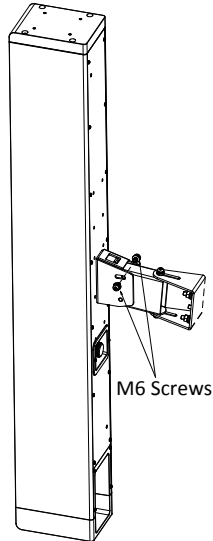


Figure 3-5 Angle Adjustment

12. Installation completed.

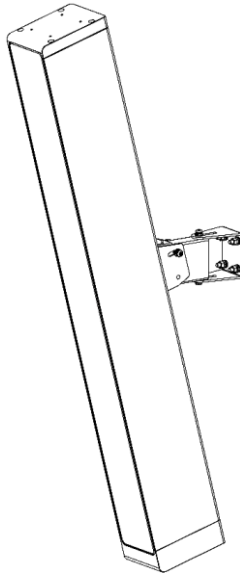


Figure 3-6 Installation Completed

## 3.2 Installation with Optional Bracket

**Note :**

The optional bracket should be purchased separately.

1. Select an installation location that can safely carry the weight of the column speaker, and make sure that the installation surface and the method of connecting the column speaker to the surface support the total weight of the system. The recommended safety coefficient is 10:1
2. Remove the package and place the column speaker on the floor below the scheduled installation location.
3. Observe the column speaker installation location and make sure there is enough space on the top of the column speaker to fix the screw.
4. Take out the optional bracket, confirm the top position of the column speaker, and make a horizontal marking line. Align the upper surface of the upper bracket with the marking line and mark the bracket hole position.

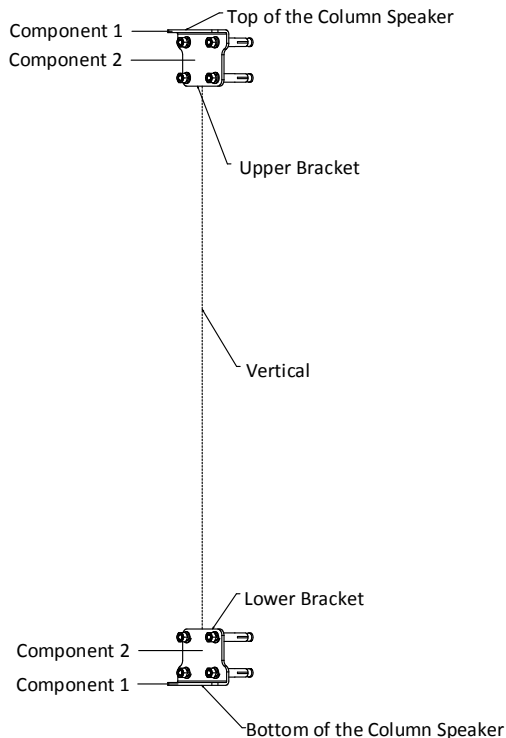


Figure 3-7 Optional Bracket and Installation Location

**Note :**

Component 1 is used to fix to column speaker, and component 2 is used to fix to wall.

5. Drill holes according to the hole positions of upper bracket, and fix the upper bracket component 2 to the cement wall with four M8 × 75 bolts provided in the optional bracket package.

**Note :**

If it is necessary to fix the upper bracket component 2 to the wooden wall, you need to replace M8 × 75 bolts with the KA6 × 50-SUS screws, and ensure that the thickness of the wooden wall at the installation hole position is not less than 20 mm.

6. Take out upper bracket component 1 and lower bracket component 1, and fix component 1 to the top and bottom of the column speaker with eight countersunk M4 screws provided in the optional bracket package.

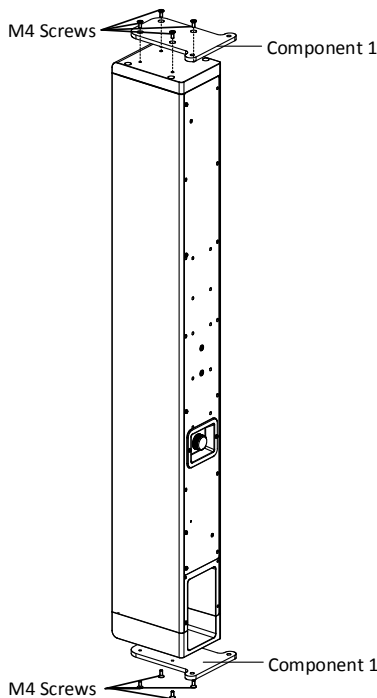


Figure 3-8 Fix Component 1 to Column Speaker

- Fix upper bracket component 2 to upper bracket component 1 with the M6 bolt and nut provided in the optional bracket package. You can loosen the M6 nut, so that the column speaker can rotate up to 90°. Then place the lower bracket component 2 onto the lower bracket component 1, adjust the column speaker vertically with a gradienter, mark the installation hole position of the lower bracket component 2, and fix lower bracket component 2 to lower bracket component 1 with the M6 bolt and nut provided in the optional bracket package.

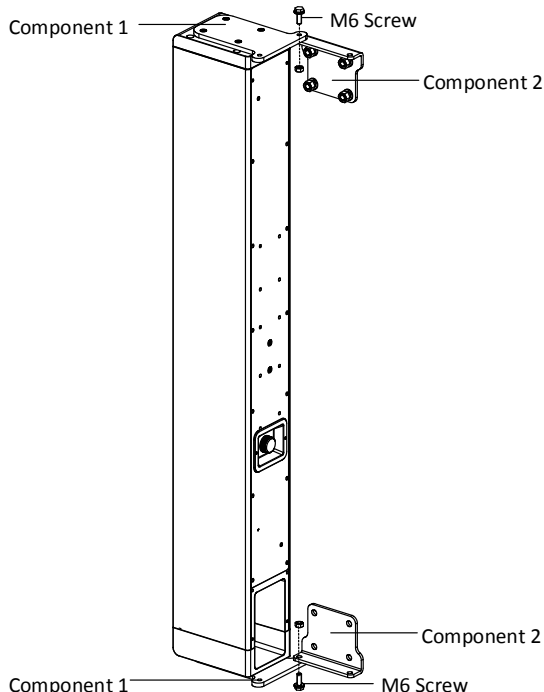


Figure 3-9 Fix Component 2 to Component 1

- Drill holes according to the hole positions of the lower bracket component 2, and fix the lower bracket component 2 to the wall with four M8 × 75 bolts provided in the optional bracket package.

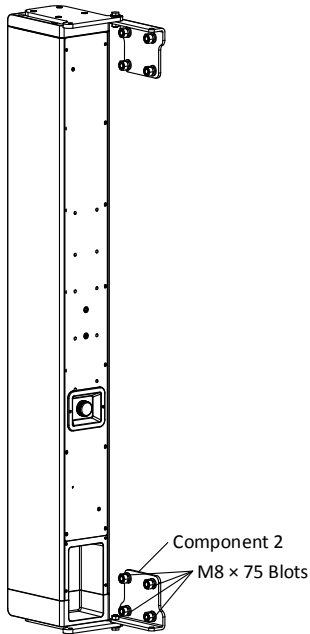


Figure 3-10 Fix Component 2 to Wall

9. Refer to "2 Knob and Interface" for wiring, and test if the column speaker is running normally after wiring.
10. Fix the column speaker.
  - If you need to adjust the column speaker angle, please fix the angle adjustment brackets to the column speaker bracket with four M6 bolts and nuts provided in the optional bracket package. The angular separation between adjacent holes on the angle adjustment bracket is 6°.

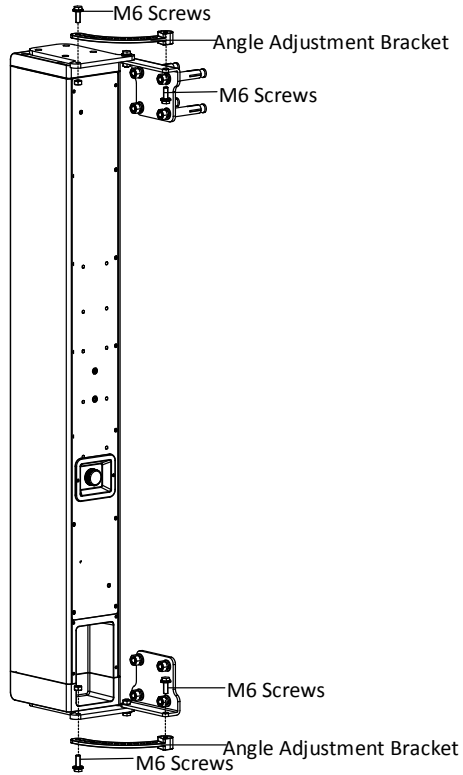


Figure 3-11 Fix Angle Adjustment Bracket

- If you do not need to adjust the column speaker angle, fix component 1 to component 2 with the two M6 bolts and nuts provided in the optional bracket package

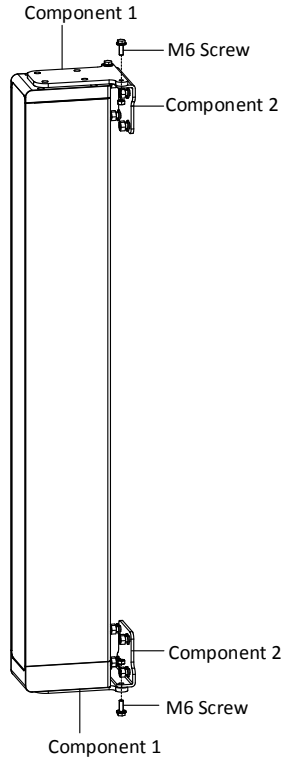
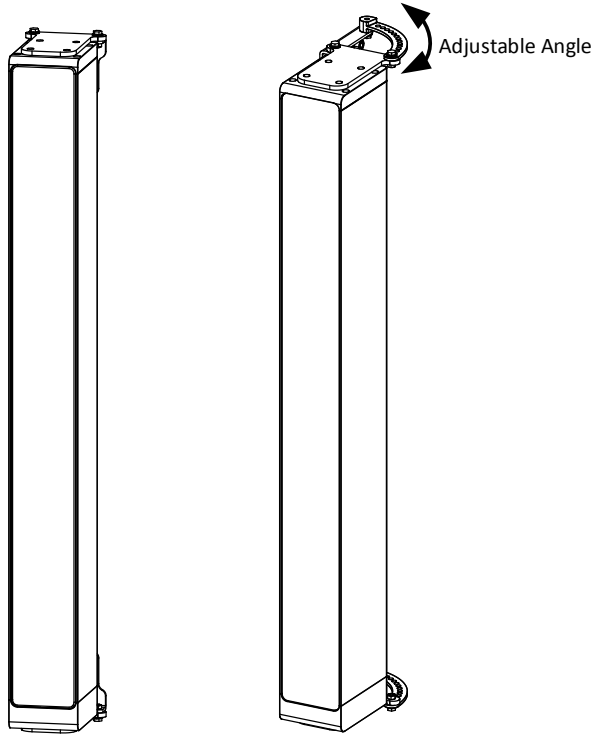


Figure 3-12 Fix Component 1 to Component 2

11. Installation completed.



Without Angle Adjustment Bracket    With Angle Adjustment Bracket

Figure 3-13 Installation Completed

